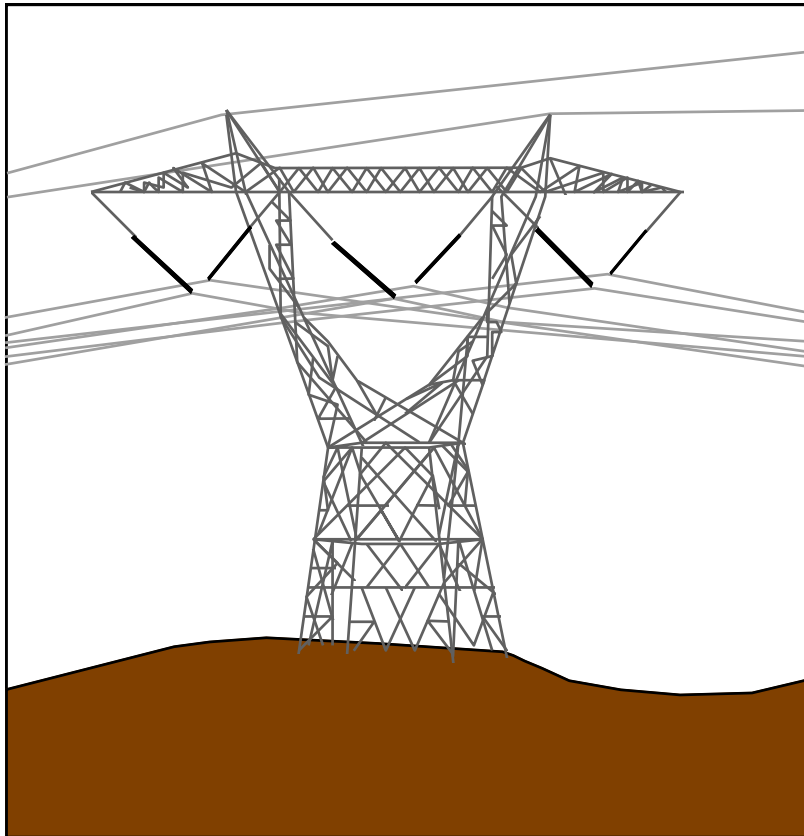


Message handbook for Ediel

Implementation guide for Request for quote message



EDIFACT-message:	Extended REQOTE
EDIFACT-version:	D
EDIFACT-release:	96A
IG-status:	For implementation
IG-version:	2.3
IG-revision:	B
IG-date:	29. April 1999

C O N T E N T

MESSAGE HANDBOOK.....	1
1. INTRODUCTION.....	3
2. GENERAL DESCRIPTION OF THE « REQUEST FOR QUOTE MESSAGE ».....	4
2.1. REQUEST FOR QUOTE MESSAGE.....	4
2.2. FUNCTIONAL DEFINITION.....	4
2.3. PRINCIPLES	4
3. REFERENCES.....	5
3.1. PRECEDENCE	5
4. QUALITY ASSURANCE.....	6
4.1. VERSION NUMBER.....	6
4.2. CORRECTIONS FROM EARLIER VERSIONS	6
5. OVERVIEW OF THE MESSAGE.....	8
5.1. DATA MODEL FOR THE REQUEST FOR QUOTE MESSAGE.....	8
5.2. CUE LIST	9
5.3. MESSAGE DIAGRAM.....	11
5.4. SEGMENT TABLE	12
5.5. DESCRIPTION OF SEGMENTS USED	18
6. DETAILED DESCRIPTION OF THE MESSAGE.....	21
APPENDIX - EXAMPLE OF AN EDIFACT MESSAGE	38

1. INTRODUCTION

This document is an Implementation Guide (IG) for the Request for quote message, to be used in the power industry. The IG describes the «expanded» EDIFACT-message REQOTE in detail. The message is used for information about prizes in the power industry.

Note: This REQOTE (Request for quote message) is extended in comparison to the standard EDIFACT UNSM message REQOTE with additional repetitions in some segment groups to achieve the needs for the power industry.

This IG is a part of the "Message handbook for Ediel", which contains a set of IG's for different messages used in the power industry and a functional description, which contains common descriptions for the different IG's. In the future several new IG's are planned.

In addition a Functional description is available, which contains common descriptions for the different Implementation Guides. This includes relationships between the different message types, use of codes and code lists, special conditions between countries (such as use of time zones), terms and notation, use of header and trailer segments (UNB and UNZ) etc.

2. GENERAL DESCRIPTION OF THE « REQUEST FOR QUOTE MESSAGE »

2.1. Request for quote message

This REQOTE (Request for quote message) is extended in comparison to the standard EDIFACT UNSM message REQOTE with additional repetitions in some segment groups to achieve the needs for the power industry:

- SG. 8 Extended from 10 to 50 repetitions
- SG. 33 Extended from 100 to 999 repetitions

2.2. Functional Definition

A message which provides potential buyers with the ability to solicit price, delivery schedule, and other conditions from sellers of goods or services.

In the power industry the Request for quote message is used to send general information from the Power Exchange to the participants about areas where bids can be placed. In addition the message can be used to send legal areas for individual participants.

2.3. Principles

The message intent is to provide information for one or more areas within a specified time period.

The message is transmitted from the Power Exchange to participants in the power industry. It allows the recipient to know:

- Maximum and minimum prices.
- Legal areas.
- Information about bidding classifications.
- The time period of the bidding classification.
- Information about which areas are permissible within a bidding classification.

3. REFERENCES

This Implementation guide is based on the following documents.

- [1] **Norsk veiledning i bruk av EDIFACT**, version 2.0, November 1991 with addition of January 1994.
- [2] **UN/EDIFACT Draft directory**, D.96A
- [3] **Message handbook for Ediel, Functional description**, version 2.1
- [4] **ISO 9735**, version 2, 1990.11.01
- [5] Ediel **WEB-site**, <http://www.ediel.org/>

3.1. Precedence

If there should be any conflict regarding this Implementation guide or between this Implementation guide and other documents, the following precedence shall be used:

- 1 UN/EDIFACT Draft directory, D.96A [2]
- 2 The Functional description [3]
- 3 This Implementation guide.

In this Implementation guide the EDIFACT message type is described in different ways. If there should be any conflict regarding the different descriptions, the detailed description in the last chapter should be used.

4. QUALITY ASSURANCE

This document is written by EdiSys AS on behalf of Ediel. Members of the Ediel-organisation have taken part in its development throughout.

The present document has the following status:

- **For implementation**

4.1. Version number

The Implementation Guide will have 2 levels of version numbering. This will be Version and Release. In addition there will be a Revision number.

- The Version number (first number) will be updated when there have been major changes like new versions of the message type.
- The Release number will be updated when there have been small changes to the IG, like adding new segments, new data elements etc. within the EDIFACT directory. These changes shall not influence existing implementations.
- The Revision number will be updated when there have been minor changes, like correction of examples, adding new codes etc. These changes shall not influence existing implementations.

4.2. Corrections from earlier versions

In addition to minor text corrections the following changes has been made to this version of the IG:

Corrections from version 2.3.A:

- The classification of segments and segment groups are corrected in the cue list, message diagram and the detailed description.

Corrections from version 2.1.1:

- DE, NL and GB are added as country codes in the NAD segment.
- Some general paragraphs from chapter 1 are removed. This information will be found in the Functional description.
- The text in chapter 4.1, Version number, is changed to be more compliant with practice.
- The classification of data element 1225 in BGM is changed from “D” to “O”.
- The code “XEU - European Monetary Coop. Fund, (Euro)” is changed to “EUR - Euro” in the CUX segment.
- The code “XEU - European Monetary Coop. Fund, (Euro)” is changed to “EUR - Euro” in the RNG segment.
- The term “Bidding area” is changed to only “Area”.

Corrections from version 2.1.0:

- An example of an EDIFACT message is added as an appendix.
- The example of the RCS segment in segment group 8 is corrected.

5. OVERVIEW OF THE MESSAGE

5.1. Data model for the Request for quote message

Shown below is a data model for the Request for quote message:

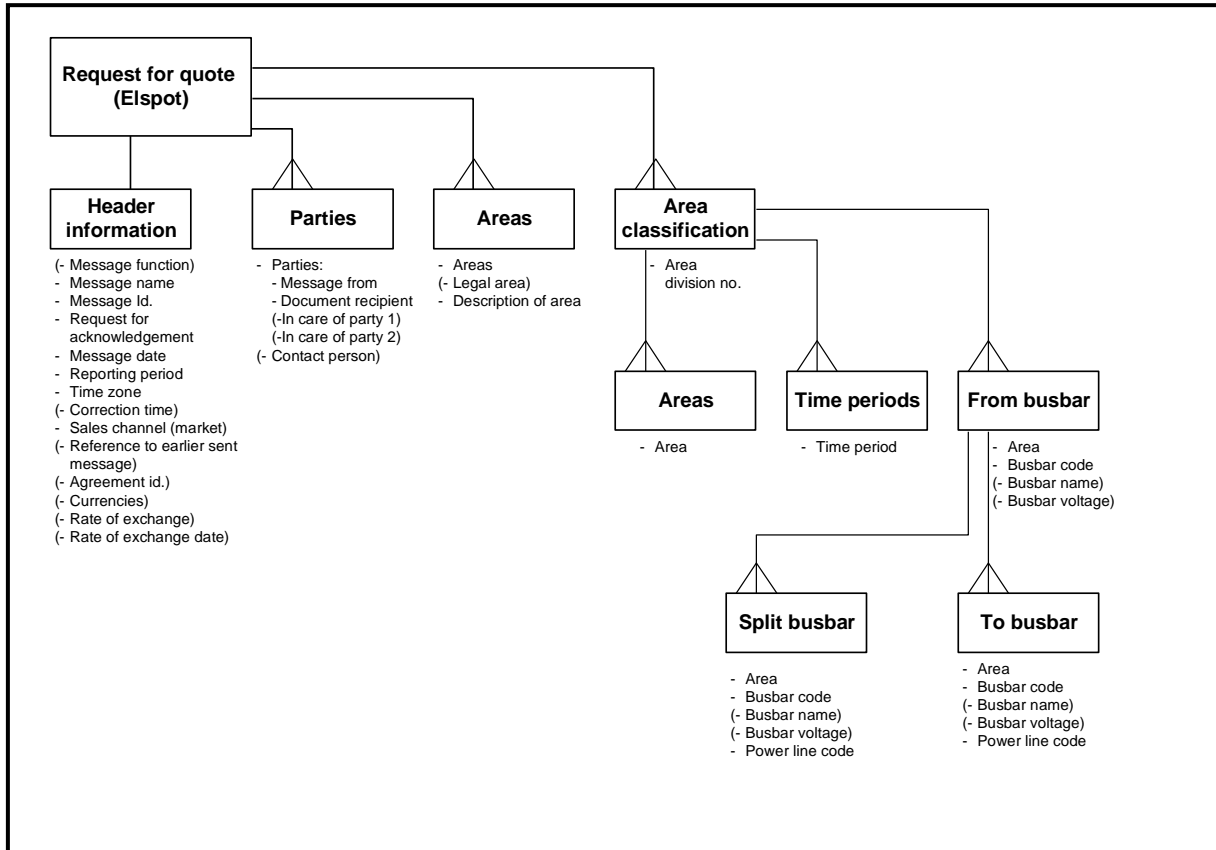


Figure 1 Data model for the Request for quote message

The Attributes in parentheses are conditional attributes and are not necessarily transferred.

5.2. Cue list

Below is a table describing the EDIFACT message and the relationships to the attributes in the data model.

Note: This REQOTE (Request for quote message) is extended in comparison to the standard EDIFACT UNSM message REQOTE with additional repetitions in some segment groups to achieve the needs for the power industry

General information about the message				
UNH	M	1	Message reference Message type	
BGM	M	1	Message name Message Id. (Message function) Request for acknowledgement	
DTM	M	5	Message date Reporting period Time zone (Correction time)	
Currencies				
SG 4	R	1		
CUX	M	1	Currency	
Areas for quotation				
SG 8	R	50		
RCS	M	1	Area (Legal area for participant)	
FTX	R	1	Area description	
Min. and max. prices				
SG 9	R	25		
APR	M	1	Power Exchange	
RNG	R	1	Minimum price Maximum price Currency	
Parties				
SG 11	R	4		
NAD	M	1	Message from Document recipient (In care of party 1) (In care of party 2)	
Contact person				
SG 14	O	1		
CTA	M	1	(Contact person)	

Area classification			
SG 27	M	20	
LIN	M	1	Area classification
DTM	R	35	Date/Time/Period (for area classification)
Busbars and areas			
SG 33	R	999	
LOC	M	1	From busbar (incl. Area, Busbar code, Busbar name). To busbar (incl. Area, Busbar code, Busbar name, Power line code). Split busbar (incl. Area, Busbar code, Busbar name, Power line code). Area.
Message trailer			
UNS	M	1	Section control
UNT	M	1	Message trailer

As a minimum the segment groups (with corresponding segments) marked with R or M have to be used in every message.

5.3. Message diagram

The Message diagram below shows the subset of the EDIFACT message that is used in this IG. All segments and segment groups are shown according to the classification in this subset. For a complete overview of the EDIFACT message, please see the next chapter (segment table).

Note: This REQOTE (Request for quote message) is extended in comparison to the standard EDIFACT UNSM message REQOTE with additional repetitions in some segment groups to achieve the needs for the power industry:

- SG. 8 Extended from 10 to 50 repetitions
- SG. 33 Extended from 100 to 999 repetitions

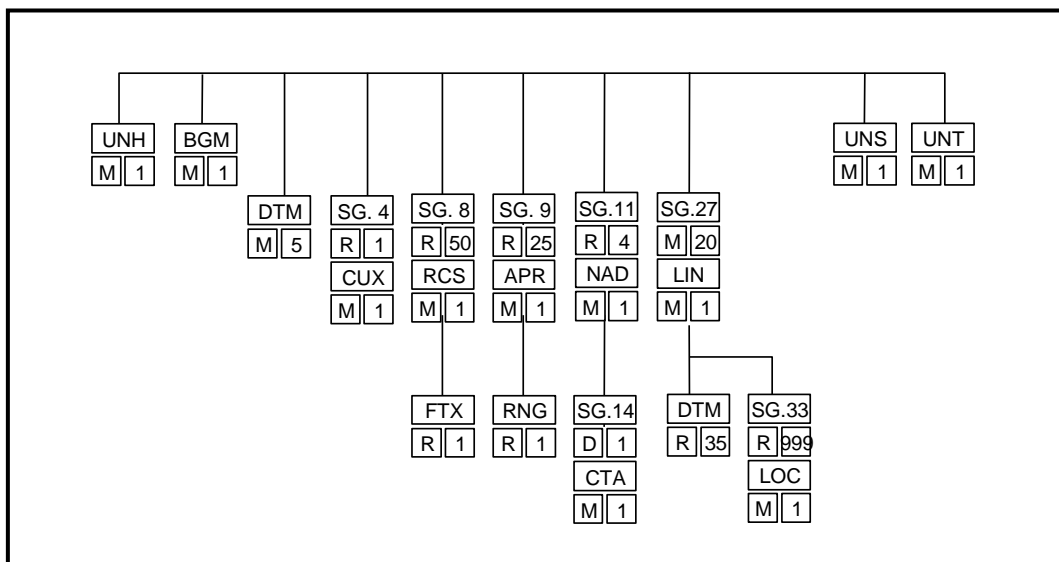


Figure 2 Message diagram for the Request for quote message

5.4. Segment table

In this chapter the segment table for the Request for quote message (REQOTE) is shown by the way it is described in version D, release 96A of the EDIFACT directory with exemption of the expansion mentioned below. The segments and segment groups that are used in this IG are shown with bold letters.

Note: This REQOTE (Request for quote message) is extended in comparison to the standard EDIFACT UNSM message REQOTE with additional repetitions in some segment groups to achieve the needs for the power industry:

- SG. 8 Extended from 10 to 50 repetitions
- SG. 33 Extended from 100 to 999 repetitions

HEADER SECTION

UNH Message header	M	1	
BGM Beginning of message	M	1	
DTM Date/time/period	M	35	
PAI Payment instructions	C	1	
ALI Additional information	C	5	
IMD Item description	C	1	
IRQ Information required	C	10	
FTX Free text	C	99	
----- Segment group 1 -----	C	10-----+	
RFF Reference	M	1	
DTM Date/time/period	C	5-----+	
----- Segment group 2 -----	C	1-----+	
AJT Adjustment details	M	1	
FTX Free text	C	5-----+	
----- Segment group 3 -----	C	5-----+	
TAX Duty/tax/fee details	M	1	
MOA Monetary amount	C	1	
LOC Place/location identification	C	5-----+	
----- Segment group 4 -----	C	5-----+	
CUX Currencies	M	1	
DTM Date/time/period	C	5-----+	
----- Segment group 5 -----	C	10-----+	
PAT Payment terms basis	M	1	
DTM Date/time/period	C	5	
PCD Percentage details	C	1	
MOA Monetary amount	C	1-----+	
----- Segment group 6 -----	C	10-----+	
TOD Terms of delivery or transport	M	1	
LOC Place/location identification	C	2-----+	
----- Segment group 7 -----	C	10-----+	
EQD Equipment details	M	1	

HAN Handling instructions	C	5	
MEA Measurements	C	5	
FTX Free text	C	5-----++	
----- Segment group 8 -----			
RCS Requirements and conditions	M	1	
RFF Reference	C	5	
DTM Date/time/period	C	5	
FTX Free text	C	5-----++	
----- Segment group 9 -----			
APR Additional price information	M	1	
PRI Price details	C	1	
QTY Quantity	C	2	
DTM Date/time/period	C	1	
MOA Monetary amount	C	2	
RNG Range details	C	2-----++	
----- Segment group 10 -----			
DLM Delivery limitations	M	1	
MOA Monetary amount	C	1	
DTM Date/time/period	C	1-----++	
----- Segment group 11 -----			
NAD Name and address	M	1	
LOC Place/location identification	C	25	
FII Financial institution information	C	5	
----- Segment group 12 -----			
RFF Reference	M	1	
DTM Date/time/period	C	5-----++	
----- Segment group 13 -----			
DOC Document/message details	M	1	
DTM Date/time/period	C	1-----++	
----- Segment group 14 -----			
CTA Contact information	M	1	
COM Communication contact	C	5-----++	
----- Segment group 15 -----			
TDT Details of transport	M	1	
QTY Quantity	C	5	
----- Segment group 16 -----			
LOC Place/location identification	M	1	
DTM Date/time/period	C	5-----++	
----- Segment group 17 -----			
PAC Package	M	1	
MEA Measurements	C	5	
----- Segment group 18 -----			
PCI Package identification	M	1	
RFF Reference	C	1	
DTM Date/time/period	C	5	
GIN Goods identity number	C	10-----++	

----- Segment group 19 -----	C	10-----+	
SCC Scheduling conditions	M	1	
FTX Free text	C	5	
----- Segment group 20 -----	C	10-----+	
QTY Quantity	M	1	
DTM Date/time/period	C	5-----++	
----- Segment group 21 -----	C	15-----+	
ALC Allowance or charge	M	1	
ALI Additional information	C	5	
----- Segment group 22 -----	C	1-----+	
QTY Quantity	M	1	
RNG Range details	C	1-----+	
----- Segment group 23 -----	C	1-----+	
PCD Percentage details	M	1	
RNG Range details	C	1-----+	
----- Segment group 24 -----	C	2-----+	
MOA Monetary amount	M	1	
RNG Range details	C	1-----+	
----- Segment group 25 -----	C	1-----+	
RTE Rate details	M	1	
RNG Range details	C	1-----+	
----- Segment group 26 -----	C	5-----+	
TAX Duty/tax/fee details	M	1	
MOA Monetary amount	C	1-----++	

DETAIL SECTION

----- Segment group 27 -----		M	20000	-----+
LIN	Line item	M	1	
PIA	Additional product id	C	25	
IMD	Item description	C	99	
MEA	Measurements	C	5	
QTY	Quantity	C	5	
PCD	Percentage details	C	1	
ALI	Additional information	C	5	
DTM	Date/time/period	C	35	
GIN	Goods identity number	C	1000	
GIR	Related identification numbers	C	1000	
QVR	Quantity variances	C	1	
FTX	Free text	C	99	
PAI	Payment instructions	C	1	
DOC	Document/message details	C	1	
----- Segment group 28 -----		C	999	-----+
CCI	Characteristic/class id	M	1	
CAV	Characteristic value	C	10	
MEA	Measurements	C	10	-----+
----- Segment group 29 -----		C	100	-----+
MOA	Monetary amount	M	1	
QTY	Quantity	C	2	
IMD	Item description	C	1	
CUX	Currencies	C	1	
DTM	Date/time/period	C	2	-----+
----- Segment group 30 -----		C	1	-----+
AJT	Adjustment details	M	1	
FTX	Free text	C	5	-----+
----- Segment group 31 -----		C	99	-----+
PRI	Price details	M	1	
APR	Additional price information	C	1	
RNG	Range details	C	1	
CUX	Currencies	C	5	
DTM	Date/time/period	C	5	-----+
----- Segment group 32 -----		C	99	-----+
RFF	Reference	M	1	
DTM	Date/time/period	C	5	-----+
----- Segment group 33 -----		C	999	-----+
LOC	Place/location identification	M	1	
QTY	Quantity	C	1	
DTM	Date/time/period	C	5	-----+
----- Segment group 34 -----		C	10	-----+
TAX	Duty/tax/fee details	M	1	
MOA	Monetary amount	C	1	
LOC	Place/location identification	C	5	-----+

----- Segment group 35 -----	C	5-----+
TOD Terms of delivery or transport	M	1
LOC Place/location identification	C	2-----+
----- Segment group 36 -----	C	10-----+
EQD Equipment details	M	1
HAN Handling instructions	C	5
MEA Measurements	C	5
FTX Free text	C	5-----+
----- Segment group 37 -----	C	10-----+
RCS Requirements and conditions	M	1
RFF Reference	C	5
DTM Date/time/period	C	5
FTX Free text	C	5-----+
----- Segment group 38 -----	C	10-----+
PAT Payment terms basis	M	1
DTM Date/time/period	C	5
PCD Percentage details	C	1
MOA Monetary amount	C	1-----+
----- Segment group 39 -----	C	10-----+
PAC Package	M	1
MEA Measurements	C	5
QTY Quantity	C	5
DTM Date/time/period	C	5
----- Segment group 40 -----	C	5-----+
RFF Reference	M	1
DTM Date/time/period	C	5-----+
----- Segment group 41 -----	C	10-----+
PCI Package identification	M	1
RFF Reference	C	1
DTM Date/time/period	C	5
GIN Goods identity number	C	10-----+
----- Segment group 42 -----	C	99-----+
NAD Name and address	M	1
LOC Place/location identification	C	5
----- Segment group 43 -----	C	5-----+
RFF Reference	M	1
DTM Date/time/period	C	5-----+
----- Segment group 44 -----	C	5-----+
DOC Document/message details	M	1
DTM Date/time/period	C	5-----+
----- Segment group 45 -----	C	5-----+
CTA Contact information	M	1
COM Communication contact	C	5-----+
----- Segment group 46 -----	C	99-----+
ALC Allowance or charge	M	1
ALI Additional information	C	5

----- Segment group 47 -----	C	1-----+
QTY Quantity	M	1
RNG Range details	C	1-----+
----- Segment group 48 -----	C	1-----+
PCD Percentage details	M	1
RNG Range details	C	1-----+
----- Segment group 49 -----	C	2-----+
MOA Monetary amount	M	1
RNG Range details	C	1-----+
----- Segment group 50 -----	C	1-----+
RTE Rate details	M	1
RNG Range details	C	1-----+
----- Segment group 51 -----	C	5-----+
TAX Duty/tax/fee details	M	1
MOA Monetary amount	C	1-----++
----- Segment group 52 -----	C	10-----+
TDT Details of transport	M	1
QTY Quantity	C	5
----- Segment group 53 -----	C	10-----+
LOC Place/location identification	M	1
DTM Date/time/period	C	5-----++
----- Segment group 54 -----	C	100-----+
SCC Scheduling conditions	M	1
FTX Free text	C	5
----- Segment group 55 -----	C	10-----+
QTY Quantity	M	1
DTM Date/time/period	C	5-----+++

SUMMARY SECTION

UNS Section control

MOA Monetary amount	C	15
CNT Control total	C	10

----- Segment group 56 -----	C	10-----+
ALC Allowance or charge	M	1
MOA Monetary amount	M	1
ALI Additional information	C	1-----+
UNT Message trailer	M	1

5.5. Description of segments used

The segments and segment groups used in this IG are described below. The description is copied from version D, release 96A of the UN/EDIFACT directory with exemption of the expansion mentioned below. *The way Ediel uses the segments is described in the next chapter.*

Note: This REQOTE (Request for quote message) is extended in comparison to the standard EDIFACT UNSM message REQOTE with additional repetitions in some segment groups to achieve the needs for the power industry:

- SG. 8 Extended from 10 to 50 repetitions
- SG. 33 Extended from 100 to 999 repetitions

Information to be provided in the Header Section:

UNH, Message header

A service segment starting and uniquely identifying a message. The message type code for the Request for quote message is REQOTE.

Note: Request for quote messages conforming to this document must contain the following data in segment UNH, composite S009:

Data element 0065 REQOTE
0052 D
0054 96A
0051 ZZ

Data element 0051 contains the code «ZZ» because the message type used for the Request for quote message is extended in comparison to the standard EDIFACT UNSM message REQOTE.

BGM, Beginning of message

A segment by which the sender must uniquely identify the request for quote by means of its type and number and when necessary its function.

DTM, Date/time/period

A segment specifying general dates and, when relevant, times related to the whole message. The segment must be specified at least once to identify the request date.

Examples of the use of this DTM segment are: Date the request for quote was made, and the last date the quotation will be accepted. The Date/time/period segment within other segment groups should be used whenever the date/time/period requires to be logically related to another specified data item e. g. Payment due date is specified within the PAT segment group.

Segment group 4: CUX

A group of segments specifying the currencies and related dates/times/period valid for the whole request for quotation. Currency data may be omitted in national applications but will be required for international transactions.

CUX, Currencies

A segment identifying the currencies required in the request for quotation. A rate of exchange may be given to convert a reference currency into a target currency.

Segment group 8: RCS-FTX

A group of segments identifying any rules, laws or regulations with which the supplier must comply to meet requirements, e. g. building regulations, safety requirements, etc.

RCS, Requirements and conditions

A segment to enable industry or national requirements to be specified.

FTX, Free text

A segment with free text information, in coded or clear form, used when additional information is needed but cannot be accommodated within other segments. In computer to computer exchanges such text will normally require the receiver to process this segment manually.

Segment group 9: APR-RNG

A group of segments identifying requested classes of pricing, quantities or pricing breaks.

APR, Additional price information

A segment to identify pricing information such as a price multiplier, the class or type of trade and additionally identifying the reason for any changes.

RNG, Range details

A segment to identify the quantity or amount ranges to which the additional price information applies.

Segment group 11: NAD-SG14

A group of segments identifying the parties with associated information.

NAD, Name and address

A segment identifying names and addresses of the parties, in coded or clear form, and their functions relevant to the request for quotation. Identification of the seller and buyer parties is mandatory for a request for quotation. It is recommended that where possible only the coded form of the party ID should be specified, e. g. the Buyer and Seller are known to each other, thus only the coded ID is required, but the Consignee or Delivery address may vary and would have to be clearly specified, preferably in structured format.

Segment group 14: CTA

A group of segments giving contact details of the specific person or department within the party identified in the NAD segment.

CTA, Contact information

A segment to identify a person or department, and their function, to whom communications should be directed.

Information to be provided in the Detail Section:

Segment group 27: LIN-DTM-SG33

A group of segments providing details of the individual requested items. There must be at least one occurrence of Segment group 27 within an request for quote. This Segment group may be repeated to give subline details.

LIN, Line item

A segment identifying the line item by the line number and configuration level, and additionally, identifying the product or service requested for quotation. Other product identification numbers, e. g. Buyer product number, etc. can be specified within the following PIA segment.

DTM, Date/time/period

A segment specifying date/time/period details relating to the line item only.

Segment group 33: LOC

A group of segments specifying destination and quantity details for consignments involving multideestination deliveries.

LOC, Place/location identification

A segment indicating the location to which part of the consignment is to be delivered.

Information to be provided in the Summary Section:

UNS, Section control

A service segment placed before the first user data segment in the summary section to indicate the end of that section.

UNT, Message trailer

A service segment ending a message, giving the total number of segments in the message and the control reference number of the message.

6. DETAILED DESCRIPTION OF THE MESSAGE

In this chapter all segments and segment groups are specified in detail. In the left column you will find a list of the attributes used.

The EDIFACT segments listed are copies of those defined in the original UN/EDIFACT directory except for data elements defined as conditional (C) which are redefined using the classification described in the Functional Description [3].

Note: This REQOTE (Request for quote message) is extended in comparison to the standard EDIFACT UNSM message REQOTE with additional repetitions in some segment groups to achieve the needs for the power industry:

- SG. 8 Extended from 10 to 50 repetitions
- SG. 33 Extended from 100 to 999 repetitions



MESSAGE: REQOTE

SG 0

Function: In the power industry the Request for quote message is used for price information from the Power Exchange.
Segments: UNH, BGM, DTM, SG.4, SG. 8, SG. 9, SG. 11, SG. 20

UNH Message header
Function: A service segment to start and identify a message.
Classification: Mandatory (M1).
Comments:
Example: UNH+1+REQOTE:D:96A:ZZ:EDIEL2'

Message-reference

>

Ref.	Name	Cl.	Form.	Description
0062	MESSAGE REFERENCE NUMBER	M	an..14	The message reference uniquely identifies the message in the interchange. This can for instance be done by using a sequence number that identifies each message in the interchange. The first message will have reference no. 1, the second message will have reference 2, etc. The reference can be set to 1 in the first message of the next interchange.
S009	MESSAGE IDENTIFIER	M		
0065	Message type identifier	M	an..6	Code: REQOTE
0052	Message type version number	M	an..3	Code: D
0054	Message type release number	M	an..3	Code: 96A
0051	Controlling agency	M	an..2	Code: ZZ
0057	Association assigned code	R	an..6	Code: EDIEL2
0068	COMMON ACCESS REFERENCE	X	an..35	
S010	STATUS OF THE TRANSFER	X		
0070	Sequence message transfer number	X	n..2	
0073	First/last seq. mess. transfer. Indicator.	X	a1	

Message-type

>

BGM Beginning of message
Function: A segment for the unique identification of the Sales data report message, by means of its name and its number.
Classification: Mandatory (M1).
Comments: Data element 1225 is used in Elspot.
Example: BGM+311+S12345+9+AB'

Ref.	Name	Cl.	Form.	Description
C002	DOCUMENT/MESSAGE NAME	R		
1001	Document/message name, coded	R	an..3	Code: 311 Request for quote
1131	Code list qualifier	X	an..3	
3055	Code list responsible agency, coded	X	an..3	
1000	Document/message name	X	an..35	
1004	DOCUMENT/MESSAGE NUMBER	R	an..35	Unique Id. of the message. Shall be unique over time for each party.
1225	MESSAGE FUNCTION, CODED	O	an..3	Code: 5 Replace of a previously sent message. 9 Original message
4343	RESPONSE TYPE, CODED	R	an..3	Code: AB Message acknowledgement is required (APERAK). NA No acknowledgement needed

DTM Date/time/period
Function: A segment specifying the date, and the time/period of the document, and the beginning and ending of the processing date/period of the document.
Classification: Mandatory (M5).
Comments:

- Code 137, 163, 164 and *ZZZ* are required. See the Functional description for a description on the use of Time Zone.

Example: DTM+137:199906231205:203'

Message date and Reporting period

>

Ref.	Name	Cl.	Form.	Description
C507	DATE/TIME/PERIOD	M		
2005	Date/time/period qualifier	M	an..3	Code: 137 Message date 163 Processing start date/time 164 Processing end date/time 339 Category change date/time (Correction time) <i>ZZZ</i> Offset to UTC (GMT)
2380	Date/time/period	R	an..35	Date/time/period
2379	Date/time/period format qualifier	R	an..3	Code: 203 YYYYMMDDHHmm, (137, 163, 164, 339) 805 Hour, (<i>ZZZ</i>)



MESSAGE: REQOTE

SG 4

Function: A group of segments specifying the currencies and related dates/times/period valid for the whole request for quotation.
Classification: Required (R1).
Comments:
Segments: CUX

CUX Currencies
Function: A segment identifying the currency.
Classification: Mandatory (M1).
Comments:
Example: CUX+2:SEK'

Currency

>

Ref.	Name	Cl.	Form.	Description
C504	CURRENCY DETAILS	R		
6347	Currency details qualifier	M	an..3	Currency details qualifier Code: 2 Reference currency (The currency applicable to amounts stated. It may have to be converted).
6345	Currency, coded	R	an..3	ISO currency code Code: DEM Germany - Deutsche Mark DKK Denmark - Krone FIM Finland - Markka NLG Netherlands - Guilder NOK Norwegian - Krone RUR Russia - Ruble SEK Sweden - Krona EUR Euro
6343	Currency qualifier	X	an..3	
6348	Currency rate base	X	n..4	
C504	CURRENCY DETAILS	X		
6347	Currency details qualifier	X	an..3	
6345	Currency, coded	X	an..3	
6343	Currency qualifier	X	an..3	
6348	Currency rate base	X	n..4	
5402	RATE OF EXCHANGE	X	n..12	
6341	CURRENCY MARKET EXCHANGE, CODED	X	an..3	



MESSAGE: REQOTE

SG 8

Function: A group of segments identifying any rules, laws or regulations which the supplier must comply to meet requirements, e. g. definitions of areas.
Classification: Required (R50).
Comments: Segment group 8 is extended from 10 to 50 repetitions in proportion to the standard EDIFACT message REQOTE.
Segments: RCS, FTX

RCS Requirements and conditions
Function: Definition of area.
Classification: Mandatory (M1).
Comments: Data element 1229 is used for areas that can be used by the participant.
Example: RCS+ZZZ+B::SM+26'

Area

>

Ref.	Name	Cl.	Form.	Description
7293	SECTOR/SUBJECT IDENTIFICATION QUALIFIER	M	an..3	Sector Code: ZZZ Power industry
C550	REQUIREMENT/CONDITION IDENTIFICATION	R		
7295	Requirement/condition identification	M	an..17	Area
1131	Code list qualifier	X	an..3	
3055	Code list responsible agency, coded	R	an..3	Code: SM Nord Pool ASA
7294	Requirement or condition	X	an..35	
1229	ACTION REQUEST/NOTIFICATION, CODED	D	an..3	Code: 26 Included

FTX Free text
Function: A segment for description of the area.
Classification: Required (R1).
Comments:
Example: FTX+ABC+++South region'

Description
 of area

Ref.	Name	Cl.	Form.	Description
4451	TEXT SUBJECT QUALIFIER	M	an..3	Code: ABC Conditions of sale or purchase
4453	TEXT FUNCTION, CODED	X	an..3	
C107	TEXT REFERENCE	X		
4441	Free text, coded	X	an..3	
1131	Code list qualifier	X	an..3	
3055	Code list responsible agency, coded	X	an..3	
C108	TEXT LITERAL	R		
4440	Free text	M	an..70	Free text
4440	Free text	O	an..70	Free text
4440	Free text	O	an..70	Free text
4440	Free text	O	an..70	Free text
4440	Free text	O	an..70	Free text
3453	LANGUAGE	X	an..3	



MESSAGE: REQOTE

SG 9

Function: A group of segments identifying requested classes of pricing, quantities or pricing breaks..
Classification: Required (R25).
Comments:
Segments: APR, RNG

APR Additional price information
Function: A segment to identify maximum and minimum prices for different currencies.
Classification: Mandatory (M1).
Comments:
Example: APR+ZZZ'

Ref.	Name	Cl.	Form.	Description
4043	CLASS OF TRADE, CODED	R	an..3	Code: ZZZ Power exchange
C138	PRICE MULTIPLIER INFORMATION	X		
5394	Price multiplier	X	n..12	
5393	Price multiplier qualifier	X	an..3	
C960	REASON FOR CHANGE	X		
4295	Change reason, coded	X	an..3	
1131	Code list qualifier	X	an..3	
3055	Code list responsible agency, coded	X	an..3	
4294	Change reason	X	an..35	

RNG Range details
Function: A segment to define maximum price, minimum prices and currency.
Classification: Required (R1).
Comments:
Example: RNG+3+NOK:0:300'

Currency

Min. prices >
 Max. prices >

Ref.	Name	Cl.	Form.	Description
6167	RANGE TYPE QUALIFIER	M	an..3	Range type Code: 3 Monetary range
C280	RANGE	R		
6411	Measure unit qualifier	M	an..3	ISO currency code Code: DEM Germany - Deutsche Mark DKK Denmark - Krone FIM Finland - Markka NLG Netherlands - Guilder NOK Norwegian - Krone RUR Russia - Ruble SEK Sweden - Krona EUR Euro
6162	Range minimum	R	n..18	Minimum price
6152	Range maximum	R	n..18	Maximum price



MESSAGE: REQOTE

SG 11

Function: A group of segments identifying names, addresses, locations, and contacts relevant to the whole message.
Classification: Required (R4).
Comments: Two repetitions are required.
Segments: NAD, SG 2

NAD Name and address
Function: A segment for identifying names and addresses and their Functions relevant for the whole message.
Classification: Mandatory (M1).
Comments:

- See the Functional description for a description of the use of data elements C082 1131 and C082 3055.
- Code «FR» and «DO» in data element 3035 are required

Example: NAD+FR+123456789:NO3:82++++OSLO+++NO'

Party Id.

>

Code list responsible

>

Ref.	Name	Cl.	Form.	Description
3035	PARTY QUALIFIER	M	an..3	Code: FR Message from DO Document recipient C1 In care of party no. 1 C2 In care of party no. 2
C082	PARTY IDENTIFICATION DETAILS	R		
3039	Party id identification	M	an..35	Party identification
1131	Code list qualifier	D	an..3	Code: 100 Enhanced party identification 160 Party identification NO3 Company registration no. from «Foretaksregisteret» in Norway
3055	Code list responsible agency, coded	R	an..3	Code: SM Nord Pool ASA SVK Svenska Kraftnät 82 «Enhetsregisteret» in Norway SLY Finnish Electricity Association EDI Other Id. than power plant 9 EAN (International Article Numbering association)
C058	NAME AND ADDRESS	X		
3124	Name and address line	X	an..35	
3124	Name and address line	X	an..35	
3124	Name and address line	X	an..35	
3124	Name and address line	X	an..35	
3124	Name and address line	X	an..35	

Place		C080	PARTY NAME	X		
		3036	Party name	X	an..35	
		3036	Party name	X	an..35	
		3036	Party name	X	an..35	
		3036	Party name	X	an..35	
		3036	Party name	X	an..35	
		3045	Party name format, coded	X	an..3	
>		C059	STREET	X		
		3042	Street and number/P.O. Box	X	an..35	
		3042	Street and number/P.O. Box	X	an..35	
		3042	Street and number/P.O. Box	X	an..35	
Country	>	3164	CITY NAME	O	an..35	Place (for generation of message)
		3229	COUNTRY SUB-ENTITY IDENTIFICATION	X	an..9	
		3251	POSTCODE IDENTIFICATION	X	an..9	
	>	3207	COUNTRY, CODED	O	an..3	Code: DK Denmark FI Finland DE Germany NL Netherlands NO Norway SE Sweden GB United Kingdom



MESSAGE: REQOTE

SG 14

Function: A group of segments to identify people, or departments.
Classification: Optional (O1).
Comments: Normally used for sender (code «FR» in NAD, SG. 2)
Segments: CTA

CTA Contact information
Function: A segment to identify the person, or department to whom questions on the report should be directed.
Classification: Mandatory (M1).
Comments: «MR» is used together with «DO» in NAD, SG. 2
 «MS» is used together with «FR» in NAD, SG. 2
 «IC» is used together with «C1» in NAD, SG. 2
Example: CTA+MS+:Ole Olsen'

Ref.	Name	Cl.	Form.	Description
3139	CONTACT FUNCTION, CODED	R	an..3	Code: MR Message recipient contact MS Message sender contact IC Information contact
C056	DEPARTMENT OR EMPLOYEE DETAILS	R		
3413	Department or employee identification	X	an..17	
3412	Department or employee	R	an..35	Contact person or department

Contact

>



MESSAGE: REQOTE

SG 27

Function: A group of segments providing details each Area classification.
Classification: Mandatory (M20).
Comments:
Segments: LIN, DTM, SG 33

LIN Line item
Function: A segment identifying the Area classification by a line number and an Area classification number.
Classification: Mandatory (M1).
Comments:
Example: LIN+1++1:::SM'

Line no.

>

Area classification

>

Ref.	Name	Cl.	Form.	Description
1082	LINE ITEM NUMBER	R	n..6	Line number (sequence no.).
1229	ACTION REQUEST/ NOTIFICATION, CODED	X	an..3	
C212	ITEM NUMBER IDENTIFICATION	R		
7140	Item number	R	an..35	Area classification
7143	Item number type, coded	X	an..3	
1131	Code list qualifier	X	an..3	
3055	Code list responsible agency, coded	R	an..3	Code: SM Nord Pool ASA
C829	SUB-LINE INFORMATION	X		
5495	Sub-line indicator, coded	X	an..3	
1082	Line item number	X	n..6	
1222	CONFIGURATION LEVEL	X	n..2	
7083	CONFIGURATION, CODED	X	an..3	

Message date and Reporting period

DTM Date/time/period
Function: A segment specifying the time/period(s) of the Area classification.
Classification: Required (R35).
Comments:
Example: DTM+324:199906231200199906231400:Z13'

Ref.	Name	Cl.	Form.	Description
C507	DATE/TIME/PERIOD	M		
2005	Date/time/period qualifier	M	an..3	Code: 324 Processing date/period
2380	Date/time/period	R	an..35	Date/time/period
2379	Date/time/period format qualifier	R	an..3	Code: Z13 YYYYMMDDHHmm- YYYYMMDDHHmm (Without hyphen)



MESSAGE: REQOTE

SG 33

Function: A group of segments identifying Busbars and areas.
Classification: Required (R999).
Comments: Segment group 33 is extended from 100 to 999 repetitions in proportion to the standard EDIFACT message REQOTE.
Segments: LOC

LOC Place/location identification
Function: A segment identifying Busbars and areas.
Classification: Mandatory (M1).
Comments:

- The “Power line code” shall be used if necessary to identify the Busbar.
- The composite elements C517 and C519 is not to be used when identifying “Areas” within a “Area classification” (code 48).

Example: LOC+48+NO2::SM'

Area >

Busbar code

Busbar name

Busbar voltage

Power line code

Ref.	Name	Cl.	Form.	Description
3227	PLACE/LOCATION QUALIFIER	M	an..3	Code: 7 Place of delivery (From Busbar) 8 Place of destination (To Busbar) 47 Region of destination (From split Busbar) 48 Region of Production (Area) 92 Routing (Split Busbar)
C517	LOCATION IDENTIFICATION	R		
3225	Place/location identification	R	an..25	Area
1131	Code list qualifier	X	an..3	
3055	Code list responsible agency, coded	R	an..3	Code: SM Nord Pool ASA
3224	Place/location	X	an..70	
C519	RELATED LOCATION ONE IDENTIFICATION	D		
3223	Related place/location one identification	R	an..25	Busbar code
1131	Code list qualifier	X	an..3	
3055	Code list responsible agency, coded	X	an..3	
3222	Related place/location one	O	an..70	Busbar name
C553	RELATED LOCATION TWO IDENTIFICATION	D		
3233	Related place/location two identification	O	an..25	Busbar voltage
1131	Code list qualifier	X	an..3	
3055	Code list responsible agency, coded	X	an..3	
3232	Related place/location two	D	an..70	Power line code
5479	RELATION, CODED	X	an..3	



MESSAGE: REQOTE

SG 0

Function: Summary section
Classification: Mandatory (M1).
Comments:
Segments: UNS, UNT

UNS Section control
Function: A service segment placed at the start of the summary section to avoid segment collision.
Classification: Mandatory (M1).
Comments:
Example: UNS+S'

Ref.	Name	Cl.	Form.	Description
0081	SECTION IDENTIFICATION	M	a1	Code: S Separates the detail and summary sections

UNT Message trailer
Function: A service segment ending a message, giving the total number of segments in the message and the control reference number of the message.
Classification: Mandatory (M1).
Comments:
Example: UNT+34+1'

Ref.	Name	Cl.	Form.	Description
0074	NUMBER OF SEGMENTS IN THE MESSAGE	M	n..6	Number of segments in the message, including UNH and UNT.
0062	MESSAGE REFERENCE NUMBER	M	an..14	Control reference number. Equal to 0062 in UNH

APPENDIX - EXAMPLE OF AN EDIFACT MESSAGE

UNA:+.? '
UNB+UNOB:2+102965662952:82+102123456789:82:SANMOMR+990407:1717+1999293
,
UNH+1+REQOTE:D:96A:ZZ:EDIEL2'
BGM+311+SAPRI00055317+9+NA'
DTM+137:199904071617:203'
DTM+163:199904112300:203'
DTM+164:199904182300:203'
DTM+ZZZ:1:805'
CUX+2:NOK'
RCS+ZZZ+SE::SM'
FTX+ABC+++Sverige.'
RCS+ZZZ+FI::SM'
FTX+ABC+++Finland.'
RCS+ZZZ+DK1::SM'
FTX+ABC+++Jylland.'
RCS+ZZZ+DK2::SM'
FTX+ABC+++Sjælland.'
RCS+ZZZ+NO1::SM+26'
FTX+ABC+++Sør-Norge - Vestlandet.'
RCS+ZZZ+NO2::SM+26'
FTX+ABC+++Vestlandet.'
RCS+ZZZ+NO3::SM+26'
FTX+ABC+++Midt- og Nord-Norge.'
APR+ZZZ'
RNG+3+NOK:0:2000'
APR+ZZZ'
RNG+3+SEK:0:2000'
APR+ZZZ'
RNG+3+FIM:0:1350'
APR+ZZZ'
RNG+3+EUR:0:230'
NAD+FR+965662952:NO3:82++++Lysaker+++NO'
CTA+MS+:Tor]ge Halvorsen'
NAD+DO+123456789:NO3:82++++++NO'
LIN+1++1:::SM'
DTM+324:199904112300199904122300:Z13'
DTM+324:199904122300199904132300:Z13'
DTM+324:199904132300199904142300:Z13'
DTM+324:199904142300199904152300:Z13'
DTM+324:199904152300199904162300:Z13'
DTM+324:199904162300199904172300:Z13'
DTM+324:199904172300199904182300:Z13'
LOC+48+SE::SM'
LOC+48+FI::SM'
LOC+48+DK1::SM'

LOC+48+DK2::SM'
LOC+48+NO1::SM'
LOC+48+NO2::SM'
LOC+48+NO3::SM'
LOC+7+SE::SM+30359::Skogssæter+420'
LOC+8+NO1::SM+1011::Halden+420'
LOC+7+SE::SM+30316::Borgvik+420'
LOC+8+NO1::SM+1021::Hasle+420'
LOC+7+SE::SM+2189::Charlottenberg+132'
LOC+8+NO1::SM+2183::Eidskog+132'
LOC+7+SE::SM+30244::Jærpstrømmen+300'
LOC+8+NO3::SM+7052::Nea+300'
LOC+7+SE::SM+SE001::T-Gejmån+220'
LOC+8+NO3::SM+7204::N-Røssåga+220'
LOC+7+SE::SM+30115::Ritsem+420'
LOC+8+NO3::SM+8031::Ofoten+420'
LOC+7+SE::SM+36001::Tornehamn+132'
LOC+8+NO3::SM+8313::Sildvik+132'
LOC+7+SE::SM+30414::Søderåsen+420::L1'
LOC+8+DK2::SM+70185::Hovegård+420::L1'
LOC+7+SE::SM+30414::Søderåsen+420::L2'
LOC+8+DK2::SM+70185::Hovegård+420::L2'
LOC+7+SE::SM+37144::Mørarp+132::L1'
LOC+8+DK2::SM+70405::Teglstrupgård+132::L1'
LOC+7+SE::SM+37144::Mørarp+132::L2'
LOC+8+DK2::SM+70405::Teglstrupgård+132::L2'
LOC+7+SE::SM+30383::Lindome+420'
LOC+8+DK1::SM+DK083::V-Hassing+420'
LOC+7+SE::SM+30391::Stenkullen+420'
LOC+8+DK1::SM+DK084::V-Hassing+132'
LOC+7+SE::SM+30308::Dannebo+420'
LOC+8+FI::SM+39023::Rauma+420'
LOC+7+SE::SM+30109::Letsi+420'
LOC+8+FI::SM+39001::Petæjæskoski+420'
LOC+7+SE::SM+30117::Svartbyn+420'
LOC+8+FI::SM+39021::Keminmaa+420'
LOC+7+SE::SM+30601::Kalix+220'
LOC+8+FI::SM+39052::Ossauskoski+220'
LOC+7+FI::SM+FI011::T-Utsjoki+220'
LOC+8+NO3::SM+::Varangerbotn+220'
LOC+7+DK1::SM+DK026::Tjele+420::L3'
LOC+8+NO1::SM+4022::Kristiansand+300::L3'
LOC+7+DK1::SM+DK027::Tjele+132::L1'
LOC+8+NO1::SM+4022::Kristiansand+300::L1'
LOC+7+DK1::SM+DK027::Tjele+132::L2'
LOC+8+NO1::SM+4022::Kristiansand+300::L2'
LOC+7+NO1::SM+2052::Fåberg+300'
LOC+8+NO3::SM+::Ø-Vinstra+300'

LOC+7+NO1::SM+3152::Aurland1+300'
LOC+8+NO2::SM+6012::Fardal+300'
LOC+7+NO1::SM+5072::Hysten+300'
LOC+8+NO2::SM+5102::Sauda+300'
LOC+7+NO1::SM+::Nesflaten+300'
LOC+8+NO2::SM+5102::Sauda+300'
LOC+7+NO2::SM+6333::Haugen+132'
LOC+8+NO3::SM+6413::Sykkylven+132'
LOC+7+NO2::SM+6453::Håheim+132'
LOC+8+NO3::SM+6433::Holen-MR+132'
LOC+92+NO1::SM+7533::Litjfossen+132'
LOC+92+NO3::SM+7533::Litjfossen+132'
LOC+47+NO1::SM+::Ulset+132'
LOC+47+NO3::SM+7523::Brattset+132'
UNS+S'
UNT+107+1'
UNZ+1+1999293'